

इंटरनेट

मानक

Disclosure to Promote the Right To Information

Whereas the Parliament of India has set out to provide a practical regime of right to information for citizens to secure access to information under the control of public authorities, in order to promote transparency and accountability in the working of every public authority, and whereas the attached publication of the Bureau of Indian Standards is of particular interest to the public, particularly disadvantaged communities and those engaged in the pursuit of education and knowledge, the attached public safety standard is made available to promote the timely dissemination of this information in an accurate manner to the public.

“जानने का अधिकार, जीने का अधिकार”

Mazdoor Kisan Shakti Sangathan

“The Right to Information, The Right to Live”

“पुराने को छोड़ नये के तरफ”

Jawaharlal Nehru

“Step Out From the Old to the New”

IS 11777-5 (1986): Circular Connectors for Radio and Associated Sound equipment for Frequencies Below 3 Mhz Including dc, Part 5: Fixed Five-socket Connector for Record Player and Tape Recorder Type 11777 IS-04 [LITD 3: Electromechanical Components and Mechanical Structures for Electronic Equipment]



“ज्ञान से एक नये भारत का निर्माण”

Satyanarayan Gangaram Pitroda

“Invent a New India Using Knowledge”



“ज्ञान एक ऐसा खजाना है जो कभी चुराया नहीं जा सकता है”

Bhartrhari—Nitiśatakam

“Knowledge is such a treasure which cannot be stolen”

BLANK PAGE



Indian Standard

**SPECIFICATION FOR CIRCULAR CONNECTORS FOR
RADIO AND ASSOCIATED SOUND EQUIPMENT FOR
FREQUENCIES BELOW 3 MHz INCLUDING DC**

**PART 5 FIXED FIVE-SOCKET CONNECTOR FOR RECORD PLAYER
AND TAPE RECORDER TYPE 11777 IS-04**

0. General — This standard shall be read in conjunction with IS : 11777 (Part 1)-1986 'Specification for circular connectors for radio and associated equipment below 3 MHz including dc : Part 1 Test schedule and requirements'.

1. Type Designation — See 4 of IS : 11777 (Part 1)-1986.

2. Outline and Dimensions — The outline and dimensions shall be according to Fig. 1 and Table 1.

3. Gauges

3.1 Gauge for Checking Dimensions — The gauge for checking dimensions shall be according to Fig. 2 and Table 2.

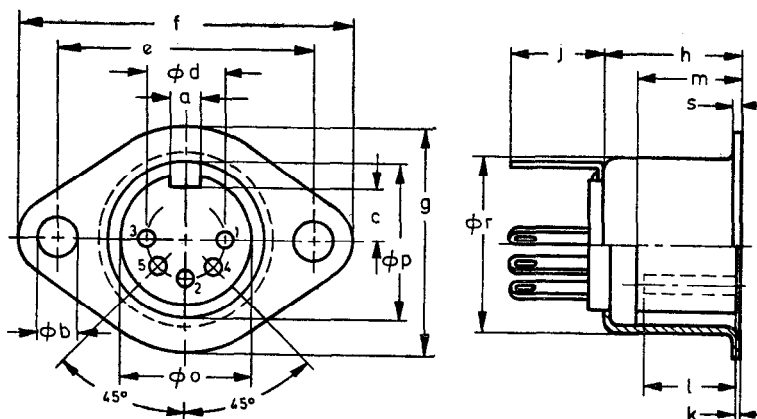


FIG. 1 OUTLINE AND DIMENSIONS

TABLE 1 DIMENSIONS

Reference	Max mm	Min mm
<i>a</i>	2.7	2.5
ϕb	3.3	3.2
<i>c</i>	4.5	—
ϕd	7.05	6.95
<i>e</i>	22.3	22.1
<i>f</i>	29	—
<i>g</i>	19	—
<i>h</i>	12.6	11.9
<i>j</i>	8	—
<i>k</i>	1	—
<i>l</i>	—	8.7
<i>m</i>	—	9
ϕo	11.8	11.6
ϕp	14.0	13.8
ϕr	16.2	—
<i>s</i> (metal)	1.3	1.0
<i>s</i> (plastic)	3.4	3.0

Adopted 31 December 1986

© March 1988, BIS

Gr 1

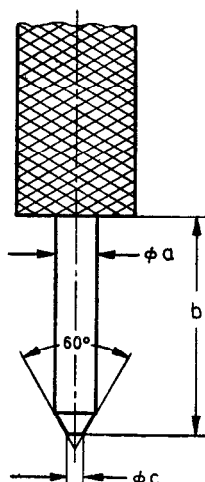


FIG. 2 GAUGE

TABLE 2 DIMENSIONS FOR THE GAUGE FOR CHECKING DIMENSIONS
(Clause 3.1)

Reference	Max mm	Min mm
ϕa	1.500	1.495
b	1.60	8.40
ϕc	0.6 Nom	

3.2 Gauge for Measuring Contact Resistance — The gauge for measuring contact resistance shall be according to Fig. 2 and Table 3.

Material : beryllium copper, rhodium plated.

3.3 Gauge for Measuring Retention Force — The gauge for measuring retention force shall be according to Fig. 2 and Table 3.

Material : Hardened tool steel, weight : 120 g.

Surface hardness Ra = 0.16 to 0.25 mm.

TABLE 3 DIMENSIONS FOR THE GAUGE FOR MEASURING CONTACT
RESISTANCE AND RETENTION FORCE

Reference	Max mm	Min mm
ϕa	1.46	1.45
b	7.8	7.5
ϕc	0.6 Nom	

4. Climatic Category — See 3 of IS : 11777 (Part 1)-1986.

5. Contact Arrangement and Connections — See 5 of IS : 11777 (Part 1)-1986.

6. Electrical Resistance — The rated voltage shall be 34 V ac or dc and the rated current shall be 2 A ac or dc.

7. Materials and Workmanship — See 7 of IS : 11777 (Part 1)-1986.

8. Tests — See 9 of IS : 11777 (Part 1)-1986.

9. Marking — See 8 of IS : 11777 (Part 1)-1986.

EXPLANATORY NOTE

This standard is based on IEC Pub 130-9 (1971) 'Connectors for frequencies below 3 MHz : Part 9 Circular connectors for radio and association equipment'. The type of connector covered in this standard is equivalent to the type 130-9 IEC-04.